

Product Highlights

Wireless N Connectivity with Extender Mode

The latest in wireless N technology gives you increased speed, range and reliability, while Extender Mode enhances your existing wireless coverage

Sound and Motion Detection with Night Vision

Never miss a moment with the ability to be notified of either sound or motion detection, and night vision ensures clear images even in complete darkness

mydlink Cloud Service Enabled Device

Use the mydlink service to view your camera from any computer with Internet access, and use your mobile device to view your camera on the go



DCS-5020L

Wireless N Day & Night Pan/Tilt Cloud Camera

Features

Camera

- High quality CMOS sensor for crystal clear images
- Pan and Tilt functions to cover a large area
- Built-in IR LEDs to capture video in low-light environments

Wireless N Connectivity

- Wireless 802.11n
- Frequency range: 2.4GHz - 2.4835GHz
- EIRP: 18.6dBm
- Extender mode expands wireless coverage area

Sound and Video

- Real-time H.264 and MJPEG compression for reduced video file size
- Sound and motion detection

Video Monitoring

- Send snapshots or video clips to an FTP site or through E-mail
- Remote video monitoring through mydlink

Ease Of Use

- Zero Configuration Setup using a D-Link cloud router
- Supports WPS for simple, secure wireless setup
- mydlink-enabled allows hassle-free remote access

The DCS-5020L Wireless N Day & Night Pan/Tilt Cloud Camera provides a range of features to help you effectively monitor large areas of your home or small office at all hours of the day. The pan/tilt function allows the camera to patrol a wide area, while the built-in IR LEDs provide around the clock surveillance regardless of the lighting conditions. Wireless connectivity means there is no need for additional cabling, and the DCS-5020L can even extend your existing wireless network to reach the farthest corners of your home or office.

Peace Of Mind With 24/7 Monitoring Of Any Environment

The DCS-5020L is a standalone surveillance camera that requires no special hardware or software, and can run independently even without a PC. Send e-mail notifications with snapshots or video clips whenever motion or sound is detected using just the DCS-5020L and an Internet connection. You can customize areas of the video image to monitor for motion, allowing you to effectively monitor areas such as entryways. You can also set volume thresholds to determine the sound level required to trigger a notification, great for detecting the sound of an intruder or vehicle, or the cry of a baby. Night time monitoring is also possible thanks to built-in infrared LEDs which allow for night time viewing of up to 26 feet (8 meters), enabling round-the-clock monitoring of your home or small office.

Instant Access Anywhere With mydlink Cloud Service

Enhanced with mydlink™ support, the DCS-5020L makes it easier and more convenient for you to keep an eye on your family, home or office, no matter where you are. You can view your camera's live video through the mydlink website, and through an optional downloadable mydlink app for your iOS or Android mobile device. With the mydlink app, you can quickly and easily view your camera feed from anywhere using a Wi-Fi or 3G/4G connection.

Sharp Image Monitoring from Different Angles

By providing you with sharp, responsive pan/tilt movement and digital zoom, the Wireless N Day & Night Pan/Tilt Cloud Camera gives you full control. You can quickly scan a wide area from a variety of angles, and 4x digital zoom lets you zoom in on specific areas for more detail. The DCS-5020L can also be set to move to specific preset positions, allowing the camera to focus on particular areas of interest within the surveillance area.

Increased Range with Wireless N Technology

Place the DCS-5020L anywhere in your home or small office thanks to the latest Wireless N technology. You can even use the DCS-5020L's Extender Mode to extend the range of your wireless network, giving your home or office better wireless coverage, so you can not only connect your camera wirelessly but also extend the reach of your existing wireless network at the same time.

Full Featured Surveillance System

The DCS-5020L includes the D-ViewCam software, which adds enhanced features and functionality that helps you create a full surveillance system. D-ViewCam enables centralized management of multiple network cameras, supporting up to 32 network cameras and up to 64 users. When combined with a dedicated computer, it offers digital monitoring and recording with a wide array of features, including scheduled, motion and manual recording options for your individual needs.



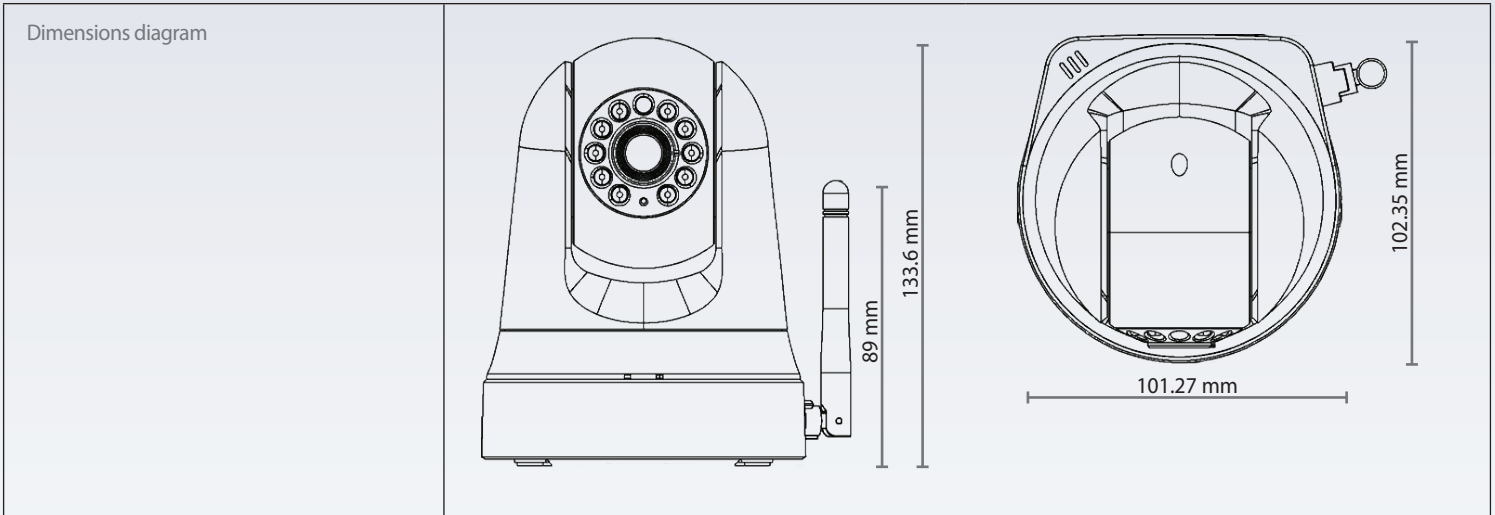
Technical Specifications

Camera

Camera Hardware Profile	<ul style="list-style-type: none"> • 1/5" VGA progressive CMOS sensor • 8 meter IR illumination distance • Minimum illumination: 0 lux with IR LEDs on • Built-in Infrared-Cut Removable (ICR) Filter module • 4X digital zoom • Lens: Fixed length 2.2 mm • Aperture: F2.0 	<ul style="list-style-type: none"> • Angle of view: <ul style="list-style-type: none"> • (H) 66.22° • (V) 49.08° • (D) 77.04° • Exposure Time: 1/15 to 1/15,000 sec. • Built-in microphone
Image Features	<ul style="list-style-type: none"> • Configurable image size, quality, frame rate, and bit rate • Time stamp and text overlays 	<ul style="list-style-type: none"> • Configurable motion detection windows • Adjustable brightness, saturation, contrast
Video Compression	<ul style="list-style-type: none"> • Simultaneous H.264/MJPEG format compression 	<ul style="list-style-type: none"> • JPEG for still images
Video Resolution	<ul style="list-style-type: none"> • 640 x 480, 320 x 240, 160 x 112 at frame rates up to 30 fps 	
Audio Compression	<ul style="list-style-type: none"> • PCM 	
Connectivity	<ul style="list-style-type: none"> • 10/100 BASE-TX Ethernet port 	<ul style="list-style-type: none"> • 802.11n wireless

Pan/ Tilt	
Pan Range	• -170° to +170° (total 340°)
Tilt Range	• -25° to +95° (total 120°)
Angular Velocity	• 16° per second
Step Setting	• Pan 1°/2°/3°/4°/5°(default)/10°/15°/20°/25°/30° per click • Tilt: 1°/2°/3°/4°/5°(default)/10°/15°/20°/25°/30° per click
Network	
Network Protocols	<ul style="list-style-type: none"> • IPV4, ARP, TCP, UDP, ICMP • DHCP Client • NTP Client (D-Link) • DNS Client • DDNS Client (D-Link) • SMTP Client • FTP Client • HTTP Server • PPPoE • UPnP Port Forwarding • LLTD
Security	<ul style="list-style-type: none"> • Password authentication • HTTP digest encryption
Advanced Features	
System Requirements for Web Interfaces	<ul style="list-style-type: none"> • Operating system: Microsoft Windows, XP/Vista/7/8 • Browser: Internet Explorer 7/Firefox 12/Safari 4/Chrome 20 or higher with Java enabled
Event Management	<ul style="list-style-type: none"> • Motion detection • Sound level detection • Event notification and uploading of snapshots/video clips via e-mail (SMTP) or FTP
Remote Access	
Remote Management	• Configuration accessible via web browser
Mobile support	<ul style="list-style-type: none"> • mydlink Lite app for iOS and Android • mydlink+ app for iOS and Android
D-ViewCam™ System Requirements	<ul style="list-style-type: none"> • Operating System: Microsoft Windows XP/Vista/7 • Web Browser: Internet Explorer 7 or higher • Protocol: Standard TCP/IP
D-ViewCam™ Software Functions	<ul style="list-style-type: none"> • Remote management/control of up to 32 cameras • Viewing of up to 32 cameras on one screen • Supports all management functions provided in web interface • Scheduled motion triggered, or manual recording options
General	
Weight	<ul style="list-style-type: none"> • Device: 292.4 grams (0.64 lbs) • Stand: 60.8 grams (0.13 lbs)
Power	• 12V DC 1 A, 50/60 Hz
Power Consumption	• 8.64 watts
Temperature	<ul style="list-style-type: none"> • Operating: 0 to 40 °C (32 to 104 °F) • Storage: -25 to 70° C (-13 to 158 °F)
Humidity	<ul style="list-style-type: none"> • Operating: 20% to 85% non-condensing • Storage: 5% to 95% non-condensing
Certifications	<ul style="list-style-type: none"> • CE • CE LVD • FCC • C-Tick
Dimensions	<ul style="list-style-type: none"> • 102.35 x 101.27 x 133.6 mm (4.03 x 3.99 x 5.26 inches) (Camera only) • 102.35 x 101.27 x 230.0 mm (4.03 x 3.99 x 9.06 inches) (Including mounting bracket)

DCS-5020L Wireless N Day & Night Pan/Tilt Cloud Camera



Order Information	
Part Number	Description
DCS-5020L	Wireless N Day & Night Pan/Tilt Cloud Camera

Updated 03/22/2013