



DCS-F5704SM

4MP WDR FIXED BULLET NETWORK CAMERA

KEY FEATURES

OPTICS

- Day/night functionality
- SmartIR ,up to 30 m (98 ft) IR distance
- Optical glass window with higher light transmittance
- IR anti-reflection window to increase the infrared transmittance
- 2D/3D DNR (Digital Noise Reduction)

COMPRESSION

- Ultra 265,H.265, H.264, MJPEG
- Embedded smart algorithm
- Triple streams
- 9:16 corridor format

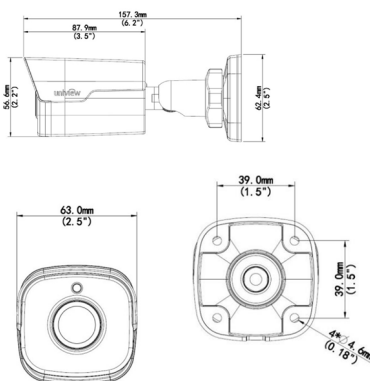
NETWORK

- ONVIF Conformance

STRUCTURE

- Wide temperature range: -35°C to 60°C (-31°F to 140°F)
- Wide voltage range of ±25%
- IP67
- 3-Axis

DIMENSIONS



Camera			
Sensor	1/3", 4.0 megapixel, progressive scan, CMOS		
Lens	4.0mm@F2.0		
Angle of View(H)	78.9°		
Angle of View (V)	39.6°		
Angle of View (O)	97.1°		
Adjustment angle	Pan: 0°~360°	Tilt: 0°~90°	Rotate: 0°~360°
Shutter	Auto/Manual, 1~1/100000 s		
Minimum Illumination	Colour: 0.03 Lux (F2.0, AGC ON) 0 Lux with IR on		
Day/Night	IR-cut filter with auto switch (ICR)		
Digital noise reduction	2D/3D DNR		
S/N	>52dB		
IR Range	Up to 30m (98 ft) IR range		
Defog	Digital Defog		
WDR	120dB		
Video			
Video Compression	Ultra 265,H.265, H.264, MJPEG		
H.264 code profile	Baseline profile, Main Profile, High Profile		
Frame Rate	Main Stream:4MP (2592×1520): Max. 20 fps, 4MP (2560×1440): Max. 25 fps, 3MP (2048×1520): Max. 30 fps; Sub Stream:2MP (1920×1080): Max. 30 fps; Third Stream:D1(720×576) : Max. 30fps		
9:16 Corridor Mode	Supported		
HLC	Supported		
BLC	Supported		
OSD	Up to 8 OSDs		
Privacy Mask	Up to 8 areas		
ROI	Up to 8 areas		
Motion Detection	Up to 4 areas		
Smart			
Behavior Detection	Intrusion, cross line, motion detection		
Intrusion	Enter and loiter in a pre-defined virtual region		
Cross Line	Cross a pre-defined virtual line		
motion detection	Moving within a pre-defined virtual region		
Recognition	Face detection,Audio detection		
Intelligent Identification	Defocus, Scene Change, Object Left, Object Moving		
Statistical Analysis	People counting		
General Function	Watermark, IP Address Filtering, Tampering Alarm, Alarm input, Alarm output, Access Policy, ARP Protection, RTSP Authentication, User Authentication		
Audio			
Audio Compression	G.711		
Suppression	Supported		
Sampling Rate	8 KHZ		
Network			
Protocols	IPv4, IGMP, ICMP, ARP, TCP, UDP, DHCP, PPPoE, RTP, RTSP, RTCP, DNS, DDNS, NTP, FTP, UPnP, HTTP, HTTPS, SMTP, 802.1x, SNMP		
Compatible Integration	ONVIF(Profile S, Profile T), API		
Interface			
Alarm I/O	1/ 1		
Built-in Mic	Supported		
Network	1 RJ45 10M/100M Base-TX Ethernet		
General			
Power	12 V DC±25%,PoE (IEEE802.3 af) Power consumption: Max 6W		
Dimensions (L × W × H)	157.3 × 62.4 × 63 mm(6.2" × 2.5" × 2.5")		
Weight	0.45 kg (0.99lb)		
Working Environment	-35°C ~ +60°C (-31°F ~ 140°F), Humidity :10%~95%RH(non-condensing)		
Ingress Protection	IP67		
Reset Button	Supported		