

Product Highlights

Complete Internet Solution

A total solution that helps you connect, share, and enjoy your VDSL2 /ADSL2+ Internet connection using a single easy-to-set-up and manage device

High-Speed Connectivity

Fast Ethernet ports and high-speed 802.11n wireless give you the bandwidth for online-gaming, video conferences, and HD multimedia

Robust Security Features

Built-in firewall to protect your network from Internet attacks, and wireless security encryption to keep your wireless traffic safe



DSL-224

VDSL2/ADSL2+ Wireless N300 4-port router

Features

Connectivity

- Built-in VDSL2/ADSL2+/ADSL modem for connecting to your high-speed broadband Internet connection
- Four Fast Ethernet LAN ports to connect wired devices for high-speed online activities
- Fast 802.11n wireless for reliable long-range wireless connections to devices throughout your home
- External 5dBi fixed antenna

Security

- NAT firewall to control traffic and prevent exploits and intrusions
- Wi-Fi Protected Setup (WPS) to quickly and securely add devices to your network
- WPA/WPA2 encryption to secure your wireless traffic

Easy Setup

- Web browser-based setup and configuration
- Setup wizard

The DSL-224 VDSL2/ADSL2+ Wireless N300 4-port router is everything you need for high-speed Internet access for your entire home or office. It combines both a VDSL2/ADSL2+ modem and high-end wireless router together to create a single, easy-to-use device that connects to the Internet, and shares that connection with all of your devices. Its web-based configuration utility means you can easily set up and modify your network settings, for seamless connection with your ISP.

VDSL2/ADSL2+ Modem and Router in a Single Device

The DSL-224 combines the functionality of a high-speed VDSL2/ADSL2+ broadband modem and a wireless router in one device, eliminating the need for separate modem and wireless router devices. Connect to your VDSL2/ADSL2+ Internet Service Provider with downlink speeds of up to 100Mbps, then immediately share the Internet connection with both wireless and wired devices. Additionally, the DSL-224 gives you the option to connect to your broadband modem via WAN/LAN Ethernet port giving you the freedom to access the Internet via VDSL2/ADSL2+, Cable, or other connection types.

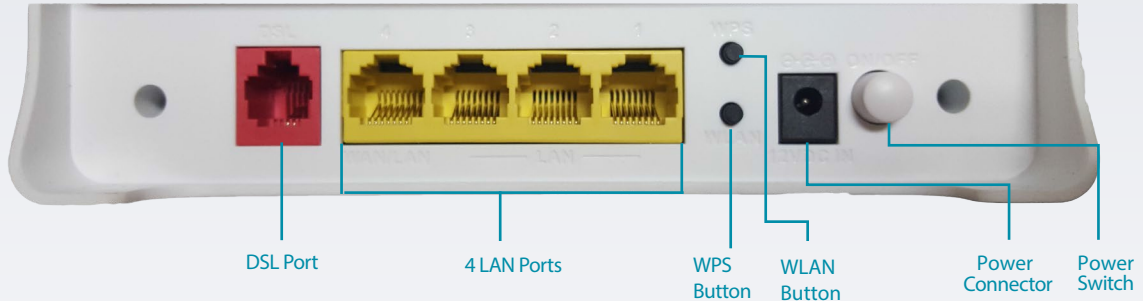
Fast and Reliable Home Network

The VDSL2/ADSL2+ Wireless N300 4-port router is perfect for home or office environments; its high-speed wireless provides reliable connections to wireless devices, while Fast Ethernet LAN ports give you speedy wired connection speeds. 802.11n wireless gives you the bandwidth to stream HD multimedia and feature-rich content across your home, so you can browse the Internet and stream digital media at combined speeds of up to 300 Mbps¹ across two separate bands.

Easy to Set Up and Secure

Get the DSL-224 up and running in no time using the intuitive web-based configuration utility. Simply connect the DSL-224 to your computer, launch the configuration utility, and follow a few easy steps to get your home or office network up and running in no time. Protect your network with WPA/WPA2 wireless encryption and a built-in NAT firewall, so you can shop online and do your online banking with confidence.

Back View



Technical Specifications

General		
Device Interfaces	<ul style="list-style-type: none"> • 802.11b/g/n Wireless LAN • Four 10/100BASE-TX LAN ports • WDS 	<ul style="list-style-type: none"> • VDSL2/ADSL2+/ADSL • 100/50 Mbps (17a) • 100/100Mbps (30a)
Standards	<ul style="list-style-type: none"> • IEEE 802.11n • IEEE 802.11g 	<ul style="list-style-type: none"> • IEEE 802.11b
LEDs	<ul style="list-style-type: none"> • Power • WLAN • VDSL 	<ul style="list-style-type: none"> • Internet • WPS • LAN (x4)
Minimum System Requirements	<ul style="list-style-type: none"> • Windows 8/7/Vista/XP SP3 or Mac OS X 10.4 or higher • Microsoft Internet Explorer 6.0, Firefox 3.0, Chrome 20.0, or Safari 5.0 	<ul style="list-style-type: none"> • Subscription with an Internet Service Provider
Functionality		
General	<ul style="list-style-type: none"> • Wireless • E.I.R.P on 2.4 GHz <100 mW 	
Security	<ul style="list-style-type: none"> • WPA & WPA2 (Wi-Fi Protected Access) • WEP 64-bit and 128-bit 	<ul style="list-style-type: none"> • Wi-Fi Protected Setup (WPS) - PIN/PBC
Advanced Features	<ul style="list-style-type: none"> • Quality of Service (QoS) • UPnP support • Stateful Packet Inspection (SPI) 	<ul style="list-style-type: none"> • Network Address Translation (NAT) • VPN passthrough/multi-session PPTP/L2TP/IPSec
Device Configuration/Management	<ul style="list-style-type: none"> • Installation wizard (optional) • Web-based GUI for configuration, firmware upgrade • Code lock to prevent improper firmware upgrade 	<ul style="list-style-type: none"> • Telnet • Syslog monitoring
Physical		
Dimensions	<ul style="list-style-type: none"> • 172 x 114 x 26 mm (6.77 x 4.4 x 1.02 inches) 	
Weight	<ul style="list-style-type: none"> • TBD 	
Temperature	<ul style="list-style-type: none"> • Operating: 0 to 40 °C (32 to 104 °F) 	<ul style="list-style-type: none"> • Storage: -20 to 70 °C (-4 to 149 °F)
Humidity	<ul style="list-style-type: none"> • 5 % to 95 % non-condensing 	
Certifications	<ul style="list-style-type: none"> • CE 	<ul style="list-style-type: none"> • RoHS

DSL-224 VDSL2/ADSL2+ Wireless N300 4-port router

Order Information	
<i>Part Number</i>	<i>Description</i>
DSL-224	VDSL2/ADSL2+ Wireless N300 4-port router

¹ Maximum wireless signal rate derived from IEEE Standard 802.11n, 802.11g, and 802.11b specifications. Actual data throughput will vary. Network conditions and environmental factors, including volume of network traffic, building materials and construction, and network overhead, lower actual data throughput rate. Environmental factors will adversely affect wireless signal range. Wireless range and speed rates are D-Link relative performance measurements based on the wireless range and speed rates of a standard Wireless G product from D-Link. Maximum throughput based on D-Link 802.11n devices.

² One LAN port can be configured to be a WAN port. This must first be activated on the GUI before the WAN port can be operational.

Updated 2015/08/04